

LOJER - FINNISH PREMIUM PRODUCTS WITH OVER 100 YEARS OF EXPERIENCE



PHYSIOTHERAPY AND MEDICAL WELLNESS



**LOJER**® **100**  
Since 1919



### The Medical Furniture and Physiotherapy Specialists

Lojer Group is the largest manufacturer of medical furniture in Scandinavia and Finland's biggest employer in the field. The company is over 100 years old and is still privately owned. In all, the group employs 180 people in four countries, and its annual turnover is over 40 million euros. Around 60 % of the turnover comes from export business. Lojer Group is the leading retailer of physiotherapy equipment and products in the Nordic countries. Lojer and its subsidiaries operate in four countries: Lojer Oy (Finland), Medema Physio Ab and Hegu Svenska Ab (Sweden), Fysiopartner As (Norway) and ooo Lojer Medical (Russia). Besides our own manufacturing Lojer Group offers our customers a wide range of high-quality physiotherapy products and world's leading brands through an efficient distribution system and web shops in all of the Nordic countries.

### High-quality Finnish manufacturing

Lojer is one of the only hospital equipment manufacturers making products almost entirely in-house, using own foundry and the latest technologies such as computer-controlled laser cutting, machining and robot welding and automatic painting lines. Lojer products are almost 80 % of Finnish content, and the high-quality materials and components used are acquired from domestic and from nearby suppliers, when possible.

### Smaller carbon footprint

Lojer is actively working to downsize the company's environmental impact and carbon footprint. Since 2011 all Lojer products have been manufactured using certified electricity from 100 % renewable sources. Parts manu-

facturing is centralized in Sastamala factory and the number of suppliers is limited, which reduces transportation related to material purchases. Material recycling is taken into account when products are designed and manufactured. Also warehouses have been increasingly centralized to Sastamala site, which makes it easier to combine shipments and thus reduce environmental load.

### Certified quality

Lojer was the first Nordic hospital equipment manufacturer to receive ISO 9001 certification already in 1994. In 2020, the quality system was expanded to cover also the production of the Kempele site. Lojer has also Quality Management System Certification for Medical Devices ISO 13485. Lojer medical furniture are CE marked according to the EU Medical Device Directives and international laws, and they are designed and tested according to EU medical device standards wherever applicable. Lojer was the first hospital bed manufacturer in Finland to begin having its products independently tested by the Finnish Technical Research Centre (VTT) in its medical technology laboratories. The company is continuously developing its processes, and their effectiveness is assessed regularly.

### Hollola plant with environmental certification

Caring about the environment has been a daily part of Lojer's activities for decades, and the company is committed to continually develop its environmental policy. The Hollola plant has an ISO 14001 environmental certification, covering product development, purchasing, manufacturing, packaging and shipment.



# 10 Treatment tables

Manuthera 242 Mobilisation Table  
Capre Treatment Tables  
Delta Treatment Tables  
Bobath Mat Tables



# 28 Medical Training Therapy

Speed Pulleys  
Pulley  
Vertical Pulley



# 36 Chairs and Seats

Easy Rider Saddle Chair  
Easy Rider FIT Saddle Chair  
Easy Rider PRO Saddle Chair  
Step Anatomic Chair  
Round Seats  
Capre BC Beauty Chair



# 42 Physiotherapy and Massage Supplies

Paper products  
Oils and cremes  
Cushions







## ANTIMICROBIAL PRODUCTS

The Lojer Antimicrobial product range is designed to prevent microbes from spreading. Microbes travel from person to person via touch surfaces: from a person's system to their hands; from their hands to a surface; from the surface to another person's hands; and from their hands to their system. This is why we have paid special attention to critical touch surfaces in designing our products.

We aim to create solutions for maintaining a high and an extremely high level of hygiene. Antimicrobial solutions and new materials reduce the risk of infection and increase the safety of both patients and medical professionals.

We have various solutions in our antimicrobial products, for example:

### Antimicrobial upholstery

The stylish Future is an environmentally friendly and fire-safety tested upholstery material. Its antibacterial, antimicrobial and mould-proofing properties make Future an ideal material for demanding applications. The material features cutting-edge coating technology that remains on the surface and does not wear out even when cleaned. At the same time it prevents the growth of bacteria.

The advanced coating technology used in the upholstery has received ISO certifications, which constitute proof of the materials' ability to destroy viruses or prevent their growth.

### Touch-free adjustment

The height adjustment of f.ex. treatment and examination tables functions without a hand control with either a 360° foot control or a hands-free foot control. With examination tables, both the table height and the back section are adjusted with the two-piece hands-free foot control. These solutions are designed to erase or minimise manual adjustments, thereby ensuring uninterrupted care and maximum efficiency. No extra time is lost to changing gloves

or disinfecting hands, for example. Furthermore, from a safety viewpoint, there are no additional wires on the floor, and the table can be easily controlled from both sides.

### Antimicrobial powder coating

Critical frame structures and metal parts are coated with antimicrobial powder coating, which is wear and corrosion resistant. Cleanability, design and choice of materials are carefully considered in the design phase of Lojer products, and together with antimicrobial coating, they provide altogether more hygienic surfaces.

### Handles and other surfaces

With the help of the silver ion technology developed by BioCote, a leading research and development company in antimicrobial technology, we are able to give the necessary critical surfaces an antimicrobial property. These surfaces include f.ex. handles and various adjusting knobs.

### Copper and copper alloys

Copper is known to be the most efficient antimicrobial material that naturally prevents microbes from growing and spreading. Antimicrobial copper's efficiency is approved and verified by the U.S. Environmental Protection Agency (EPA). This includes also metal alloys with a copper content of over 60 %. 99.99 % of bacteria dies within two hours of touching the surface. The antimicrobial properties do not wear out or disappear with use, and the oxidation (patination) of the copper surface does not affect its antimicrobial effect. Products containing copper are safe for people and the environment, and they are entirely recyclable.

### Antimicrobial laminate

Lojer Antimicrobial products use high-pressure laminate with an impervious sheet surface. Maintenance and cleaning is easy, and the laminate can be used in machine washable products. It can also be used in products that require a high level of hygiene and have a high risk of infections spreading via the material.



# LOJER®

Antimicrobial



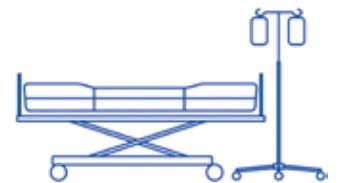
Examination tables



Medical chairs



Treatment and massage tables



Hospital beds

## Test results of antimicrobial activity and effectiveness

Sample	Test method			Result	
	Test organism	Standard		Reduction (log)	Reduction (%)
Antimicrobial powder coating	S. aureus E. coli	ISO 22196	24 h	≥3.81 ≥3.58	≥99,98 % ≥99,97 %
Antimicrobial laminate	S. aureus E. coli	JIS Z 2801		4.03 4.22	>99,99 % >99,99 %
Antimicrobial handle	S. aureus E. coli	ISO 22196	24 h	≥4.11 ≥3.88	≥99,99 % ≥99,99 %
Copper and copper alloys	S. aureus E. coli	EPA-testaus	2 h		>99,9% >99,9%
Antimicrobial upholstery	Coronavirus*	ISO 18184	60 min. 90 min.	1.14 1.32	92,74 % 95,21 %
	Coronavirus*	ISO 21702	24 h	3.5	99,97 %
	S. aureus S. aureus (MRSA) E. coli K. pneumoniae	ISO 22196	24 h	R ≥ 2**	
	S. aureus K. pneumoniae S. choleraesuis P. aeruginosa	AATCC 147	24 h	Approved	

\* Testing was performed on material exposed to feline coronavirus, Feline Coronavirus (same coronavirusidae family, structures, and mechanism as SARS-Cov2).

\*\* The test laboratory considers that the sample has an antibacterial effect from R ≥2.

### The HygTech Alliance is a group of six Finnish companies

- Lojer Group, Abloy, Isku, Oras, Teknos and Korpinen - developing products and solutions related to hygiene management. We are the only hygiene technology alliance that provides a holistic line of antimicrobial solutions. [www.hygttechalliance.com](http://www.hygttechalliance.com)



HygTech Alliance

The design of all Lojer products focuses on high-hygiene. But there is also a special antimicrobial version available for several products. **Information of the antimicrobial version is marked on the product page.**

**Ask more about** antimicrobial products from us!



# UPHOLSTERY MATERIALS AND COLORS

## Future

Featuring a slightly pearlescent finish, the stylish Future is an environmentally friendly and fire safety tested upholstery material in the Lojer upholstery range. Its antibacterial, antimicrobial and mould-proofing properties make Future an ideal material for demanding applications. The material features cutting-edge coating technology that remains on the surface and does not wear out even when cleaned. At the same time it prevents the growth of bacteria (which causes smells and stains), prolonging the service life of the upholstered parts.

This extremely durable material is 3 to 6 times more durable than traditional faux leather materials (Martindale over 300 000 cycles) and highly resistant to deterioration such as cracking, splitting, and loss of flexibility. It is also waterproof and fade-resistant.

The surface coating, durability and performance of Future upholstery material has been designed specifically for the healthcare industry, where bacteria, abrasions and stains are particularly challenging. The material is easy to clean and must be cleaned frequently. It fulfills REACH chemicals regulation requirements, which proves a high emphasis level of health and environment protection. Material composition: topcoat 81% vinyl and backing 19% polyester.

## Nature

Durable, high quality Nature represents a new generation of environmentally friendly materials. The material is in accordance with the Oeko-Tex standard and therefore does not include any heavy metals or phthalates. Thanks to its biocompatibility (EN ISO 10993-5 + 10) the material is safe for the skin. The new Nature feels very comfortable and warmer on the skin than regular artificial leather. It is especially suitable for medical and physiotherapy products. Material composition: approx. 50% renewable raw materials, approx. 30% natural based raw materials and approx. 20% raw material based on crude oil.

## skai Conductive

Skai Conductive is high-quality leather like material. Both appearance and feel imitates real leather. The surface of the material is electrically conductive. Thus this material is highly recommended for medical applications where electrostatic discharged must be avoided e.g. special examinations related to heart. Material composition: approx. 90% PVC-compound and approx. 10% CO/ PES -knitted fabric.



Future



SILVER



FALLS



TOMATO



BEACH



PEARL



TITANIUM



CARBON



ONYX



SAPPHIRE



LAGOON



PISTACHIO



PLUM



SUNRISE



SPACE

Nature



SAND



HAZE



STONE



SEA



NIGHT

Skai Conductive



MANO

Material/ Specification	Resistant to oil and fat	Antibacterial	Resistant to disinfectants (according to a separate listing)	Biocompatible	Waterproof	Resistant to secretions	Flame retardant	Resistant to abrasion	Lightfast	Tear-resistant	Long-lasting	Easy to clean	Electrically conductive	Antimicrobial	Fulfills Oeko-Tex 100 standard	Environmentally friendly	Fulfills REACH requirements	Fulfills toys norm DIN EN 71-3
Future	x	x	x		x	x	x	x	x	x	x	x		x		x	x	x
Nature			x	x		x	x	x	x	x	x	x			x	x	x	x
skai Conductive			x						x	x	x	x	x				x	



**manuthera<sup>®</sup> 242**

The most versatile  
treatment table  
in the world







## LOJER MEDICAL SERVICE



### Service trainings

In addition to product trainings we offer service trainings to our partners. During these sessions your service personnel will get a comprehensive picture of how to maintain Lojer products. These trainings can take place either in Finland at one of our sites or in some cases also at partner's premises.



### Customer service

Our expert team is ready to help you with for example consulting of maintenance issues or choosing the right spare part. Best way to reach us is via e-mail or filling up the form at our website – normally we respond to your inquiries within the same working day. In technical problems you may also call us, our technical professionals are here to help you.



### Spare parts

Lojer's spare parts services can supply parts even for equipment that is 20–30 years old. Our fast service and own factories in Finland ensure that parts are dispatched quickly from our own logistics centre, many times even with next day delivery.

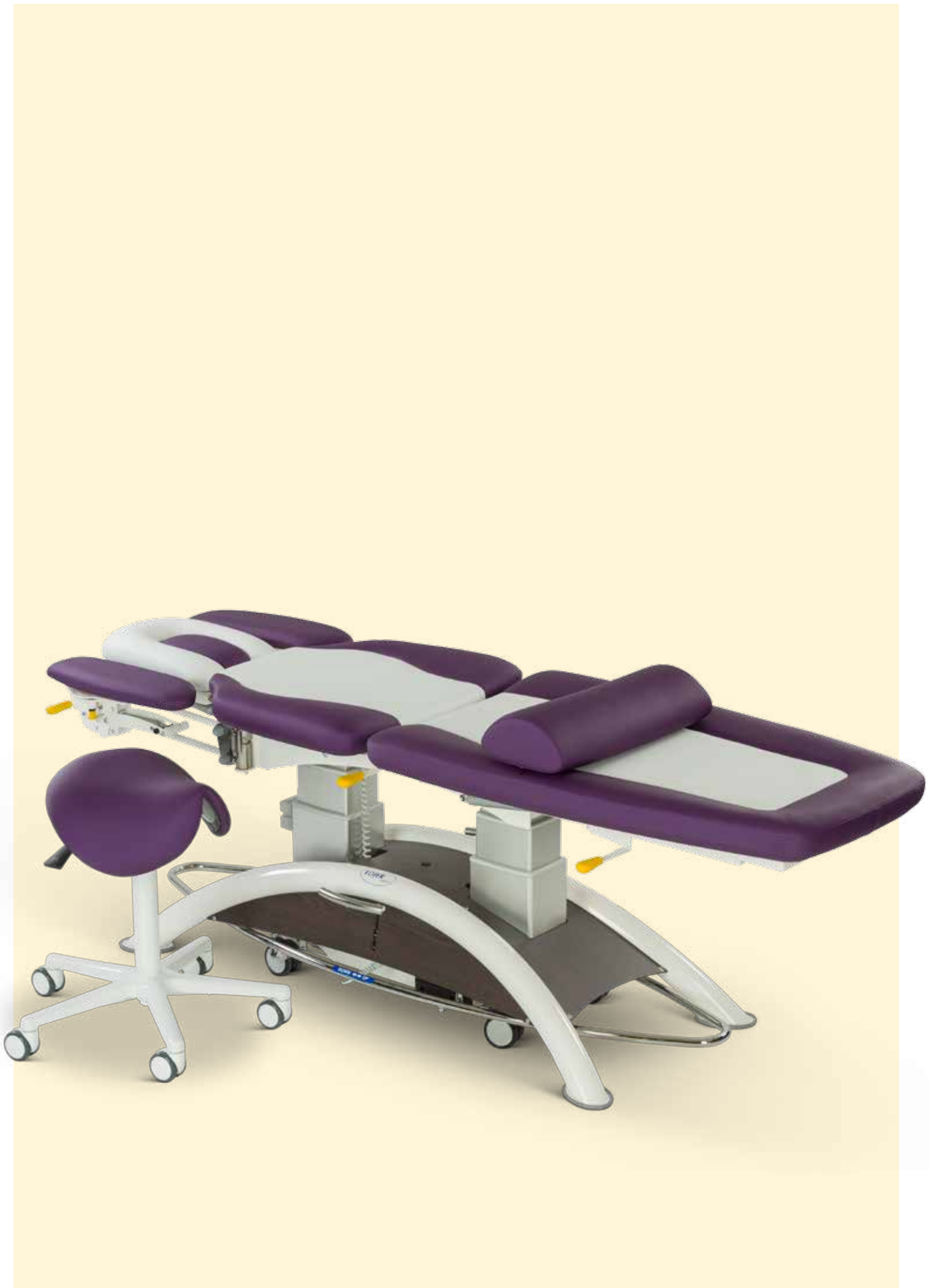


### Entire Life Cycle

Maintenance and spare parts costs are significant in comparison to original purchase costs. Lojer complements its comprehensive range of hospital equipment by offering its customers a wide range of maintenance and service solutions to keep their products in good order.

### Contact:

Fill the form at [lojer.com](http://lojer.com) » service request  
or send us email [service@lojer.com](mailto:service@lojer.com).  
You can also call us + 358 10 830 6750  
(from 8:00 AM to 16:00 PM Finnish time UTC+2:00).



# TREATMENT TABLES

Lojer's treatment table range comprises one of the market's widest selection of high quality electrical and hydraulic tables for different purposes. Our range comprises one of the market's widest selections of high quality electrical and hydraulic treatment tables for different purposes. To ensure consistently high quality, we manufacture our treatment tables in Finland using the latest design innovations and manufacturing technology.

In accordance with our sustainable development programme, our products are designed and made to last. Our trendy upholstery options and wide range of accessories and cushions means we can create a treatment table solution to fit the unique needs of each customer.



# MANUTHERA 242 MOBILISATION TABLE

## TREATMENT TABLES

Featuring unique patented technology designed by Finnish experts, the Manuthera® 242 mobilisation and manipulation table supports the therapist's work and ensures the best possible diagnosis and treatment for patients. Manuthera 242 is an all-in-one treatment table for demanding examination and treatment use by various manual therapists, such as sports massage therapists, naprapaths, osteopaths, OMT physiotherapists, physiotherapists and chiropractors.

### Supreme features for the best of the patient

**Face section folding two ways** and featuring advanced 3D functionalities for the safe mobilisation of the cervical spine and neck through vertical and lateral head movement.

**Arm rests** with stepless height adjustment and lateral movement. The arm rests can be attached to the side to function as side support.

Easy-to-use, sturdy and ergonomic **knobs** for locking the movement to the desired position.

**Safety edge** stops all table adjustments from being touched.

Adjustable **legs** with support paws.

Two-piece **thorax section** element for vertical thorax bending and a 3D rotational motion. A unique tool for thorax mobilisation and manipulation!

**Lower body section** with extension/flexion, lateral movement and 3D rotational motion. Lower body rotation feature.

Extremely wide range of **High/Low adjustment**.

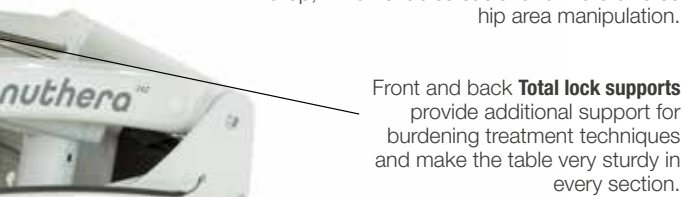
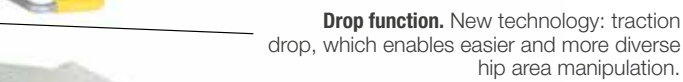
**Lockable castors** for easy mobility.



For over 100 free and professional videos, please visit [Manuthera242.com](http://Manuthera242.com) and its Learning Hub >>



Manuthera 242 takes the therapist's work to a new level and supports countless treatment and diagnosis methods thanks to its patented operation system based on two synchronised motors, unique multi-traction features and various other functionalities, as well as its structure. The patient can be moved to therapeutic and anatomical key positions smoothly and quietly. Mobility treatment can be carried out 3-dimensionally using the traction, flexion, lateral flexion and rotation features of the table, as well as gravity. The table design, twin motor system and the frame with bearings in all moving parts enhance the ergonomics of the therapist's work and make it less burdening, which enables even better treatment results.

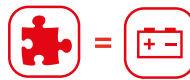


**Electronic Tilt up / Tilt down** function for gravity-based treatment; also enabling easier access for patients onto the table. Spinal decompression has never been this efficient and pleasant for the patient!

### Manuthera 242 with synchronised lifting motors

Manuthera 242 is the world's first treatment table equipped with two synchronised lifting motors. This twin-motor feature enables smooth, easy movement and facilitates the therapist's work. The automatic safety feature detects if something becomes trapped between structures, which stops the motors and lifts the table to release the obstruction.

### Technical features

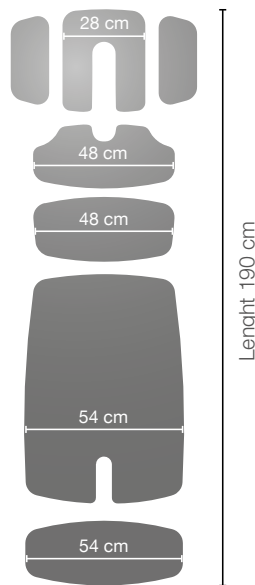


#### Accessories:

- Battery back-up
- Face pillow

### Dimensions and adjustments

#### Manuthera 242



# CAPRE FX TREATMENT TABLES

## TREATMENT TABLES

The Lojer Capre FX is an outstanding treatment table, with design and features to meet or exceed the needs of even the most demanding users. Its anatomically shaped two-colour upholstery supports the patient, and the elegant design makes the Lojer Capre FX a fine interior decoration element. The upholstery material is extremely durable and the antimicrobial fabric is also easy to clean, waterproof and has excellent disinfectant features.

The silent Lojer Capre FX takes up very little space as two pillars lift it straight up. Sturdy frame and two separate motor pillars make the table extremely stable - Safe Working Load (SWL) is 250 kg. The table can also be used in the chair position, thanks to the design of the lower frame. Versatile and easy to use adjustments, such as side-foldable armrests (FX5), gas spring assistance and electric hi-low feature, make therapist's work easier. The stepless adjustable extension, and flexion angle of the foot section and multiple height settings help patients get on and off the table.

*Premium usability meets stylish design*



Product pictured with accessories

Scan the QR code and check the table's functions and options





## Main features:

- 1 Modern look with durable and stylish upholstery
- 2 Sturdy frame and two separate motor pillars make the table extremely stable – Safe Working Load (SWL) of 250 kg
- 3 Ergonomic design and plenty of options and accessories make the table versatile and easy to use

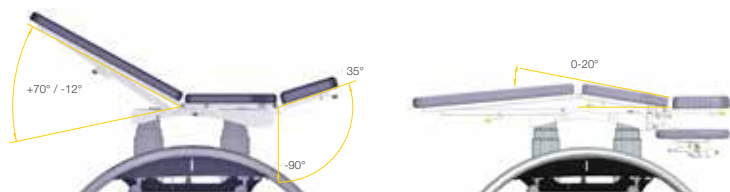
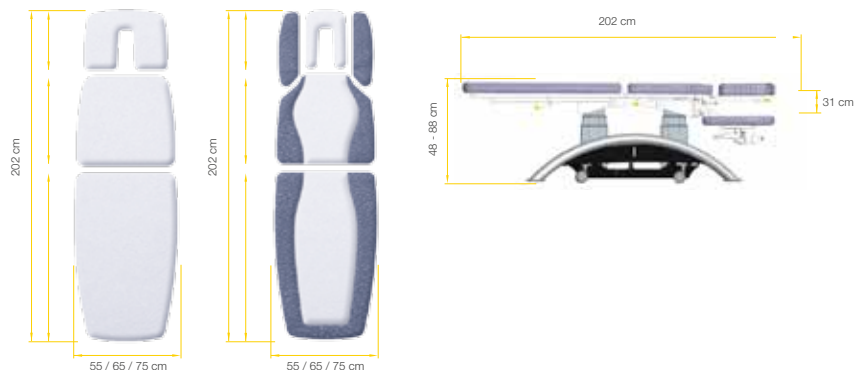
## Technical features



## Accessories

- Double hinged head support
- Drainage with gas spring
- Drainage with electric assistance
- Battery operation
- Chromium frame tubing
- Several cover options: wood imitation, stainless steel, glossy white, carbon fibre and black metal paint
- Paper roll holder (50 or 60 cm)
- Face hole cover
- Extra width upholstery 75cm
- Extra foot control
- Extra hand control
- Conventional upholstery to FX5 model (non-anatomic, same as in Capre F)
- Side supports for FX3

## Dimensions and adjustments



# CAPRE F TREATMENT TABLES

## TREATMENT TABLES

The modifiability, adjustability and silent operation of the sturdy Lojer Capre F improve functionality and enhance the comfort of use. Its multiple height settings, easy-to-use armrests and side supports, and the stepless adjustable extension and flexion angle of the foot section improve the ergonomics and efficiency of the work being carried out. All Lojer Capre treatment tables have a wide range of upholstery colors and several high-quality upholstery materials to choose from. It is easy to keep the table clean, thanks to its straight surfaces and encased motor.

*The popular treatment table delights with versatile options and accessories and improves comfort of use*



Check the Capre Treatment table's features on Lojer's YouTube channel  
<http://youtube.com/lojergroup>

Main features:

- 1 Very low minimum height: Electric height adjustment 45 – 92 cm or hydraulic adjustment 49 - 90 cm
- 2 Stepless arm supports featuring quick adjustment with gas springs (only F5), anatomic upholstery support the arm of the patient
- 3 Three or five sections

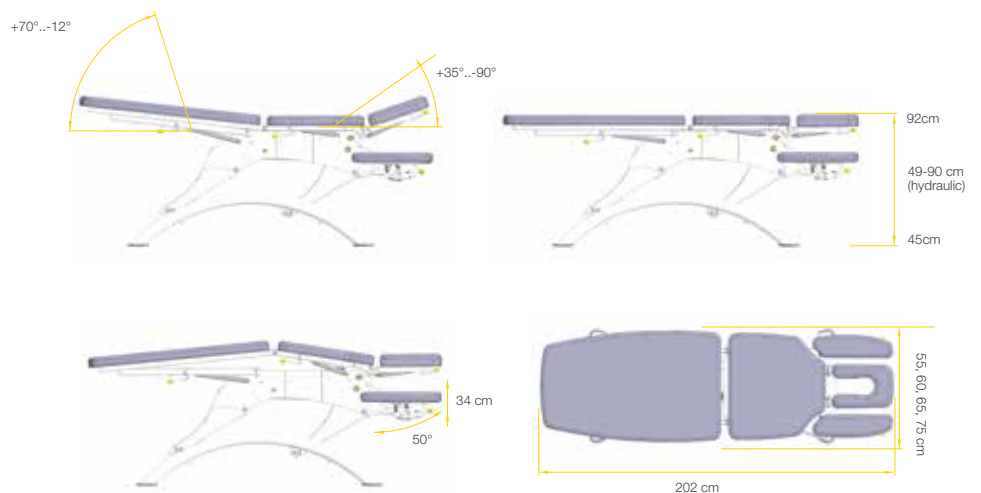
Technical features



Accessories

- Side supports with fast locking and horizontal adjustment in three positions
- Electrical table top height adjustment with 360° foot bar (including safety switch)
- Centrally locking castors (Ø75 mm)
- Double hinged head support
- Drainage with gas spring
- Drainage with electric adjustment
- Additional hand control or foot pedal
- Face hole cover
- Paper roll holder (50 or 60 cm)
- Battery back-up
- Safety switch
- Turning arm rests (can be used as arm and side rests, basic arm rests not available with this feature)
- Extra width upholstery 75 cm
- Conical upholstery shape (only with model F5 and 65 width)
- 2-colour upholstery (same as in FX5, only available with F5 and 55, 65, 75 cm widths)

Dimensions and adjustments





# CAPRE M TREATMENT TABLES

## TREATMENT TABLES

The sturdy, easy-to-use Lojer Capre M is a refreshing addition to the range of basic treatment tables in terms of its design and colour alternatives. Specifically intended for masseurs, the electrical Lojer Capre M has the best price-quality ratio on the market.

All Lojer Capre treatment tables have a wide range of upholstery colors and several high-quality upholstery materials to choose from. It is easy to keep the table clean, thanks to its straight surfaces and encased motor.

*Sturdy and high quality basic treatment table provides an excellent user experience*



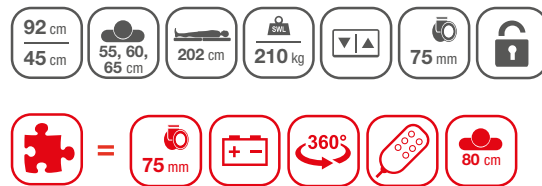
Product pictured with accessories

Check the Capre Treatment table's features on Lojer's YouTube channel  
<http://youtube.com/lojergroup>

Main features:

- 1 Two or four sections
- 2 Safe Working Load (SWL) 210 kg
- 3 Very low minimum height: electric height adjustment 45 – 92 cm or hydraulic adjustment 49 - 90 cm

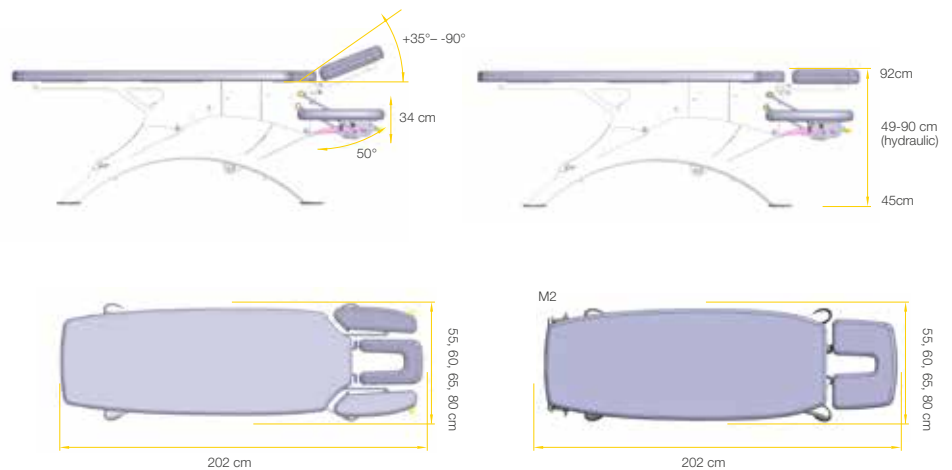
Technical features



Accessories

- Side supports with fast locking and horizontal adjustment in three positions
- Double hinged head section
- Centrally locking castors (Ø75 mm)
- Hand control for electric height adjustment (standard foot control included)
- Additional foot control for electric height adjustment
- Electrical table top height adjustment with 360° foot bar including safety switch (standard foot control not included)
- Paper roll holder (50 or 60 cm)
- Battery back-up
- Face hole cover
- Extra width of 80cm
- Safety switch

Dimensions and adjustments



# CAPRE F2 TREATMENT TABLE

## TREATMENT TABLES

The modifiability, adjustability and silent operation of the sturdy Lojer Capre F2 improve functionality and enhance the comfort of use. The Lojer Capre F2 features a two-piece table top and was developed based on experts' feedback. This high-quality table is designed for basic treatments and examination purposes. It is easy to keep clean, thanks to its straight surfaces and encased motor.

*High-quality, multifunctional table for examinations and treatments*



Product pictured with accessories

## Main features:

- 1 Safe working load (SWL) 210 kg
- 2 Modern design with good features – well suitable also for examination
- 3 Table stands firmly on its own feet when in use

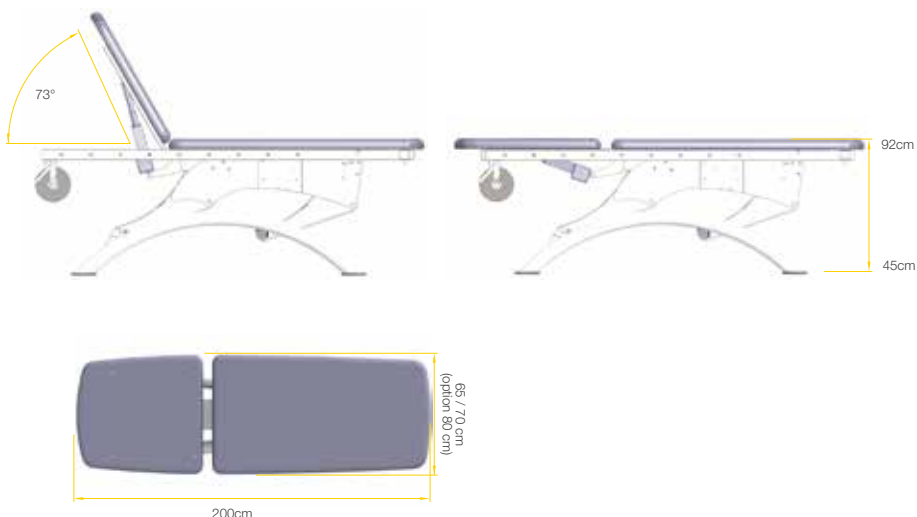
## Technical features



## Accessories:

- Battery back-up
- 360° height adjustment foot bar
- Foot pedal for height adjustment
- Paper roll holder
- Face hole cover
- Castors Ø75 mm
- Extra 80cm width

## Dimensions and adjustments





# 4010X AND 4020X BOBATH MAT TABLES

## TREATMENT TABLES

The renewed Lojer Bobath Mat Treatment Table is designed primarily for neurological therapy and Bobath therapy. The table has a patented structure that makes it very sturdy and well suited even for constant heavy use. It is designed in such a way that the therapist can be on the table at the same time as the patient who is being treated — safe working load (SWL) is up to astonishing 400 kg.

The upholstery material is extremely durable and antimicrobial fabric that is also easy to clean, waterproof and has excellent disinfectant features. Tabletop's foam thickness is 30 mm, which makes the patient surface less elastic and more suitable for examinations and treatments of neurological disorders. Bobath's frame structure allows patient lifts to fit easily underneath it (ground clearance is 15 cm) even when the table is at its lowest height. Extremely low minimum height (40 cm) ensures that even patients with wheelchair are able to get onto the table with ease.

*Safe working load (SWL) is astonishing 400kg*



Main features:

- 1 Very high safe working load (SWL) 400 kg
- 2 Patented structure that makes the table sturdy and well suited for heavy use
- 3 Patient lifts fit easily underneath even when the table is at its lowest height (40 cm)

Technical features



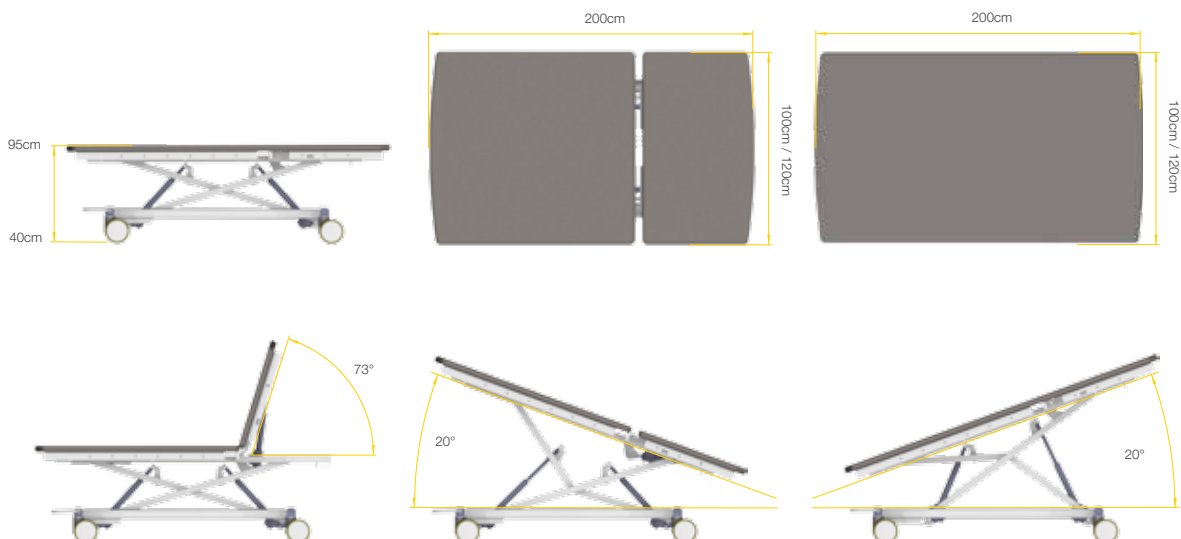
Factory-installed options:

- Electric Trendelenburg and Anti-Trendelenburg adjustment (incl. battery)
- Foot switch for height adjustment for 4010XB, hand control included
- Foot switch for height and back section adjustment for 4020XB, hand control included
- Breathing hole (total length of the table will increase with 70 mm)
- Battery for back-up

Accessories:

- Accessory rail, length 380 mm (6 possible fitting positions)
- Lift support
- Push handles, attached to the head section
- Side rail (max. 2 pieces)
- Examination lamp, attachment with Lojer adapter (included)
- Examination lamp, attachment to accessory rail with adapter (included)
- Rapid rod clamp Ø20mm, aluminium. For attaching items to the accessory rails

Dimensions and adjustments



# DELTA PROFESSIONAL TREATMENT TABLES

## TREATMENT TABLES

The original Delta Professional treatment table (Rainer Rajala Oy) has been the favourite of masseurs, physiotherapists, naprapaths, chiropractors and other therapists for a long time. The treatment table represents the best in the field, both in terms of function and durability. Our many years of experience are evident in the design of our tables, ensuring stability and durability at all working heights and positions.

### The Range

#### DP2

One-piece table top with foot switch operated electrical height adjustment, range 47 - 98 cm. Wide face section featuring stepless, gas spring assisted adjustment.

#### DP3

Split table top with foot switch operated electrical height adjustment, range 48-100cm. Wide face section featuring stepless, gas spring assisted adjustment. Manually adjustable drainage position, leg section adjustment to 75° angle.

#### DP4

4-piece table top with foot switch operated electrical height adjustment, range 47 - 98 cm. Face section features stepless, gas spring assisted adjustment. Arm rests with easy height and sideways adjustment.

#### DP5

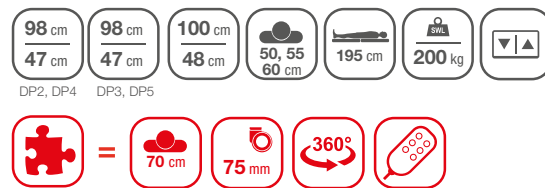
Split table top with foot switch operated electrical height adjustment, range 48-100cm. Face section features stepless, gas spring assisted adjustment. Arm rests with easy height and sideways adjustment. Manually adjustable drainage position, leg section adjustment to 75° angle.



## Main features:

- 1 A classic table that gets excellent reviews
- 2 Reliable, easy to use and extremely durable
- 3 Diverse range of accessories allows the treatment table to be tailored according to individual needs

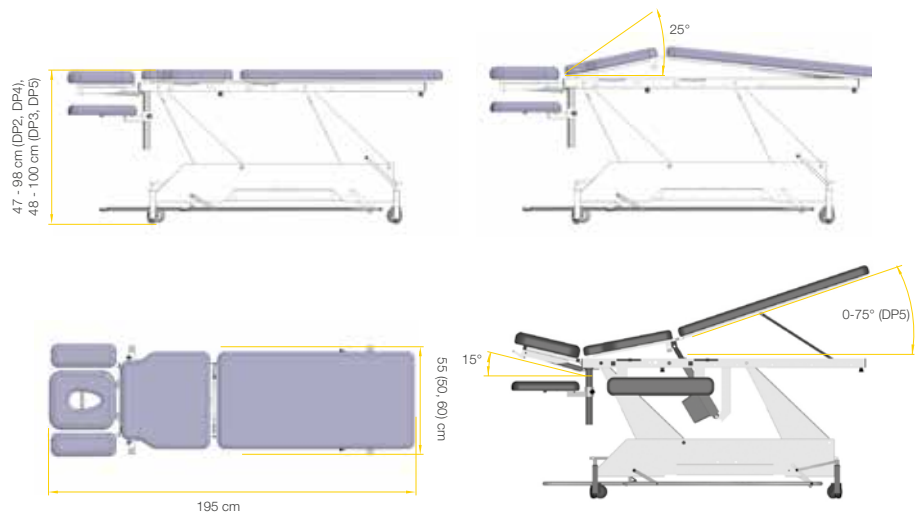
## Technical features



## Accessories:

- Centrally lockable castors
- Side supports
- Electrical table top height adjustment with 360° foot bar
- Double-hinged face section
- Electric drainage
- Electric drainage and electric foot section adjustment
- Hand control
- Extra foot control
- Foot control holder (attached to the lower frame)
- Paper roll holder
- Safety switch to prevent accidental use
- Extra width upholstery 70 cm, only for DP4 and DP2 (side supports are not compatible with this width)

## Dimensions and adjustments





# DELTA STANDARD TREATMENT TABLES

## TREATMENT TABLES

The original Delta Standard treatment tables are basic tables for professionals like masseurs, physiotherapists, naprapaths, chiropractors and other therapists. Tables are affordable, reliable and easy to use. These classic tables have been the favourite of therapists for a long time and thanks to different options and accessories, they can be tailored to fulfil even the needs of demanding users.

### The Range

#### DS4 (Electric model)

4-piece table top with foot switch operated electrical height adjustment. Face section features stepless, gas spring assisted adjustment. Arm rests with easy height and sideways adjustment.

#### DS5 (Electric model)

Split table top with foot switch operated electrical height adjustment. Face section features stepless, gas spring assisted adjustment. Arm rests with easy height and sideways adjustment. Manually adjustable drainage position, leg section adjustment to 75° angle. The Range (Hydraulic models)

#### DS4H (Hydraulic model)

4-piece table top with foot pedal operated hydraulic height adjustment. Face section features stepless, gas spring assisted adjustment. Arm rests with easy height and sideways adjustment.

#### DS5H (Hydraulic model)

Split table top with foot pedal operated hydraulic height adjustment. Face section features stepless, gas spring assisted adjustment. Arm rests with easy height and sideways adjustment. Manually adjustable drainage position, leg section adjustment to 75° angle.



Product pictured with accessories

## Main features:

- 1 A classic table in affordable price
- 2 Reliable, easy to use and extremely durable
- 3 Diverse range of accessories and upholstery colour options allows the treatment table to be tailored according to individual needs

## Technical features



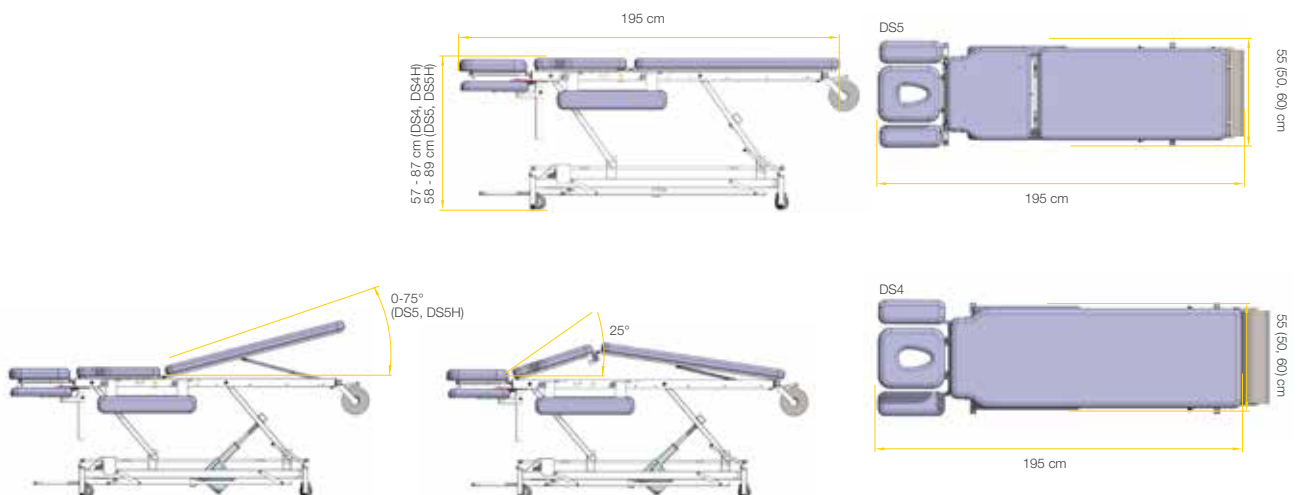
DS4, DS4H DS5, DS5H



## Accessories:

- Centrally lockable castors
- Side supports
- Electrical table top height adjustment with 360° foot bar
- Double-hinged face section
- Hand control only for DS5 and DS4
- Extra foot control, only for DS5 and DS4
- Foot control holder (attached to the lower frame)
- Paper roll holder
- Safety switch to prevent accidental use
- Extra width upholstery 70 cm, only for DS4 and DS4H (side supports are not compatible with this width)
- Electric drainage, only for DS5
- Electric drainage and foot section adjustment, only for DS5

## Dimensions and adjustments





High quality equipment for rehabilitation professionals



# MEDICAL TRAINING THERAPY

The Lojer Pulley traction device provides the patient with the best possible therapeutic rehabilitation, which, depending on the type of exercise, affects the bloodstream, coordination, endurance or power. The Lojer Pulley with its accessories is one of the most versatile medical rehabilitation equipment available on the market. In addition to the above, the Lojer Speed Pulley can also be used for speed changes exercises.

Devices for medical rehabilitation, such as hospitals and health centers, must meet the requirements of the regulation (EU) 2017/745 on medical devices (MDR). The Lojer rehabilitation devices are MDR compliant, medical and CE marked devices that can be safely used in healthcare.



# SPEED PULLEYS

## MEDICAL TRAINING THERAPY

### Pulley available in black and grey colours

Speed pulleys allow exercises according to speed variation but are not limited to only those. Same exercises can be done as with standard pulleys but the combination of long ropes and two handles enable a variety of different exercises – the only limit is imagination. One handle can be used for the exercise and the other one for stabilization and core training. The extremely smooth pulling mechanism of Lojer Speed pulleys allow even explosive exercise movements – without losing or jolting the weight. By pulling the rope one meter, the weight stack rises only 20 cm. This enables different motion speed exercises like running with extra resistance and throwing motions. Speed pulleys have a very light weight stack - starting from 500 gram resistance. And by connecting both ropes to one handle, weight is doubled. Speed pulleys feature two adjustment pins: first one for adjusting the height of the rope and the second one acts as a range motion limiter.

Mobile speed pulley is the best option for limited space or when wall-attachment cannot be used. The mobile speed pulley features a 50 kg encased weight stack, casters and two ropes with handles.

### The Range

Speed Pulley 50kg: Weight stack 50kg, consisting 20 x 2,5 kg

Speed Pulley 80kg: Weight stack 80kg, consisting 16 x 5 kg

Speed Pulley 100kg: Weight stack 100kg, consisting 20 x 5 kg

Mobile Speed Pulley 50kg: Weight stack 50kg, consisting 20 x 2,5 kg

*Ideal for explosive speed exercises*



Mobile Speed Pulley



Speed Pulley 50kg

## Main features:

- 1 Possibility of starting with low weight and setting the weight precisely using one or two ropes
- 2 For different (explosive) speed exercises like running with extra resistance, throwing motions and skiing exercises - even with two hands
- 3 Models available in black or grey colours

## Accessories:

### Handles and gantries

13107	Triceps rod straight rubber (black)
402024	Rowing handle
15106TL	Gantry for Mobile Speed Pulley (black or grey)
15106T	Gantry for Speed Pulley 50kg (black or grey)
15106T100	Gantry for Speed Pulley 80/100kg (black or grey)
VH8083	Support handle Lojer pulley (black or grey)
VH80831	Support handle Lojer pulley+gantry (black or grey)
VD6800	Handle for vertical pulley Lojer (grey)

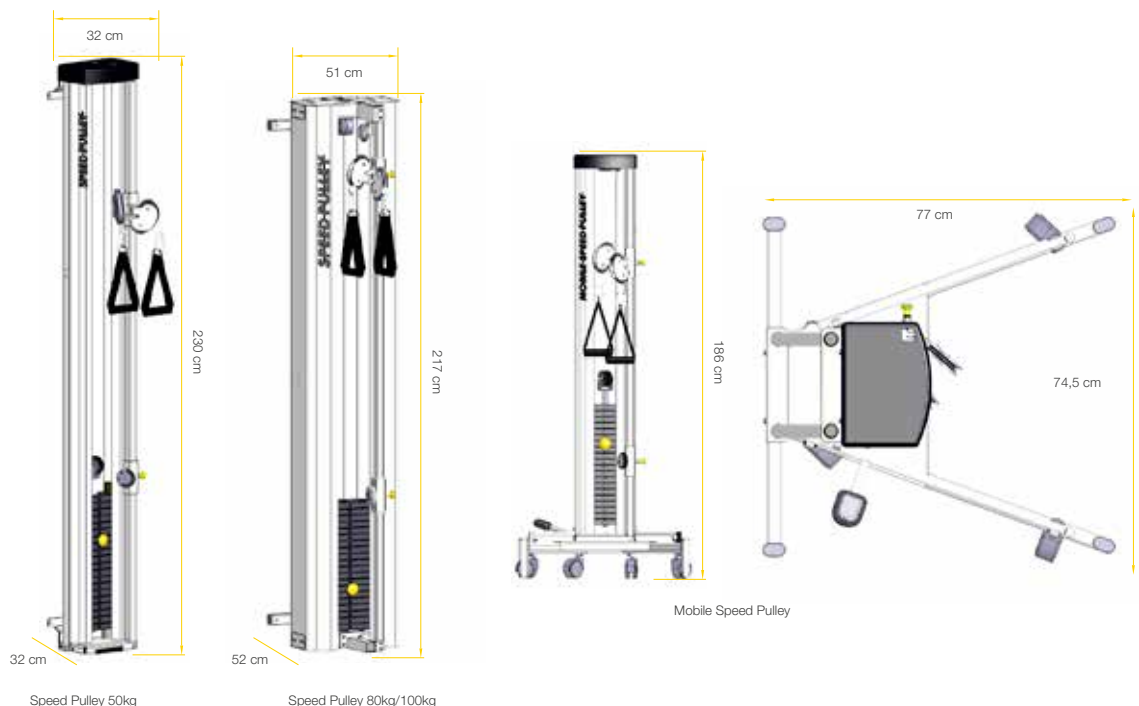
### Straps

402020	Strap padded ankle 25x8 cm
402021	Strap padded thigh/shoulder
402022	Strap padded waist
402025	Rotation strap with padding
402029	Leather strap wrist 32x5 cm
402030	Leather strap ankle 62x5 cm
402032	Leather strap 124x8 cm
402033	Leather strap Maxi ankle
402034	Head strap
402040	Strap padded ankle with velcro lock

### Other

210050	Training glove
2512126	Triceps rope

## Dimensions and adjustments



# PULLEY

## MEDICAL TRAINING THERAPY

### Pulley available in black and grey colours

With its range of accessories, the Lojer Pulley is one of the most diverse pieces of medical training therapy equipment. A pulley enables precisely defined use of resistance, with sufficiently small weights and small increments. The purpose of its versatility is to assist the therapist in giving the patient an accurate training dosage, in order to restore functional qualities like circulation, co-ordination, endurance and strength to the musculoskeletal system.

### The Range

Pulley 14 kg: Weight stack 14 kg, consisting of 2\*0,5 kg and 13\*1 kg

Pulley 20 kg: Weight stack 20 kg, consisting of 2\*0,5 kg and 19\*1 kg

*High quality equipment for rehabilitation professionals*

1

2

3



## Main features:

- 1 Possibility of starting with low weight and setting the weight precisely – only by 250gr at a time
- 2 Thanks to the wall brackets, device is sturdy and safe in use
- 3 Models available in black or grey colours

## Accessories:

### Handles and gantries

13107	Triceps rod straight rubber
VH8083	Support handle
VH80831	Support handle and gantry
15106	Gantry with cord for Pulley
VD6800	Handle for vertical pulley Lojer
402024	Rowing handle

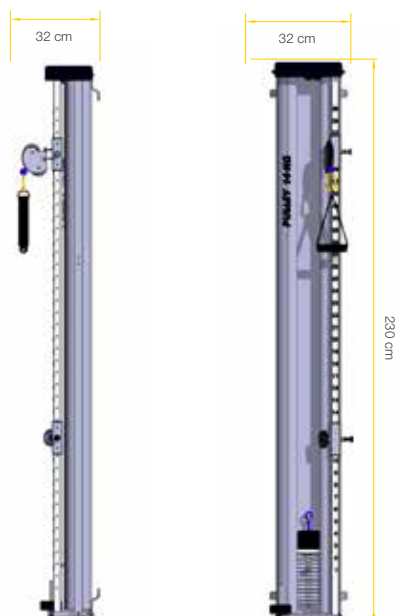
### Straps

402020	Strap padded ankle 25x8 cm
402021	Strap padded thigh/shoulder
402022	Strap padded waist
402025	Rotation strap with padding
402029	Leather strap wrist 32x5 cm
402030	Leather strap ankle 62x5 cm
402031	Leather strap 105x8 cm
402032	Leather strap 124x8 cm
402033	Leather strap Maxi ankle
402034	Head strap
402040	Strap padded ankle with velcro lock

### Other

Set of extra weights	3x250gr Lojer Pulley
210050	Glove
2512126	Triceps rope

## Dimensions and adjustments





# VERTICAL PULLEY

## MEDICAL TRAINING THERAPY

The Lojer Vertical Pull can be used for exercised in which the motion goes from up to down, as well as down to up. Exercises in physiotherapy and motion therapy can be aimed at the large muscle groups. The Vertical Pull also offers excellent options for lighter exercises, which are important in the early stages of beginning physiotherapy or other training. A wide range of accessories adds to and diversifies the possibilities offered by the Vertical Pull.

### The Range

Vertical Pull 50kg: 50 kg weight stack, handle for vertical pulley (VD6800)

Vertical Pull 80kg: 80 kg weight stack, handle for vertical pulley (VD6800)

Vertical Pull 100kg: 100 kg weight stack, handle for vertical pulley (VD6800)



Accessories:

Handles

- 13107 Triceps rod straight rubber
- 402024 Rowing handle

Straps

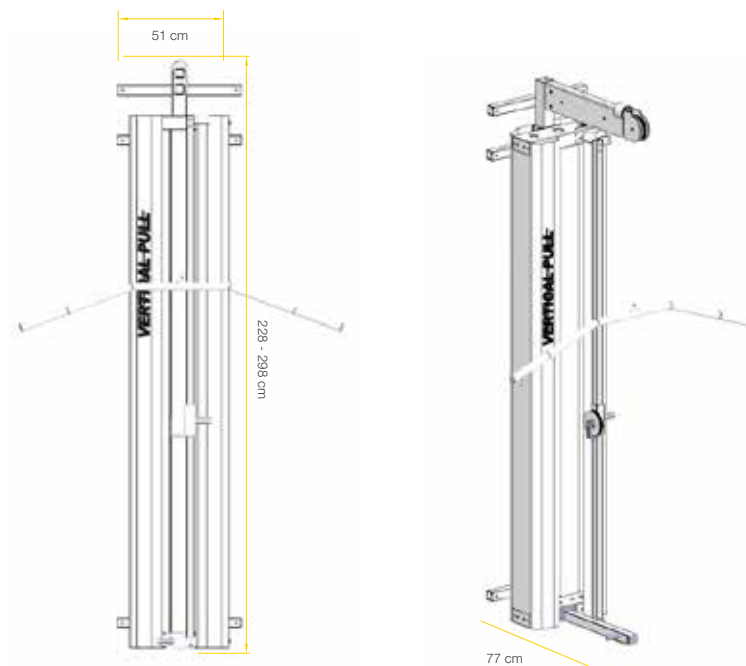
- 402034 Head strap
- 402020 Strap padded ankle 25x8 cm
- 402021 Strap padded thigh/shoulder
- 402022 Strap padded waist
- 402029 Leather strap wrist 32x5 cm
- 402030 Leather strap ankle 62x5 cm
- 402032 Leather strap 124x8 cm
- 402033 Leather strap Maxi ankle
- 402025 Rotation strap with padding
- 402040 Strap padded ankle with velcro lock

Other

- 2512126 Triceps rope

Dimensions and adjustments

---



# CHAIRS AND SEATS

Chairs with stylish Future upholstery fit perfectly with Lojer treatment tables. Lojer chairs are designed especially for professional healthcare personnel. They have been selected for our range in collaboration with occupational physiotherapists. The chairs can be fitted with, for example, treatment tables as both features same new, highly durable and stylish Future material (14 upholstery colors). The chairs and seats are manufactured in Finland.

## Easy Rider Saddle Chair CH1100

A popular saddle chair with seamless upholstery. The chair is upholstered with the new stylish and extremely durable Future material (14 colors), environmentally friendly Nature (5 colors) or optional black leather. The chair features a seat angle adjustment and a gas spring assisted height adjustment with cover for the gas spring according to the base color. Seat width is 50 cm and length 35 cm. Safe Working Load (SWL) 150 kg. Standard configuration: polished aluminum Ø 528 mm base | height adjustment range Medium (54 – 74 cm) | black 65 mm castors | upholstery Future (14 colors) or Nature (5 colors)



Product featured with Future Plum and options: white base Ø610 mm, back support and white 65 mm castors.



ALSO AVAILABLE AS AN  
ANTIMICROBIAL MODEL

**LOJER**® Antimicrobial



## Easy Rider Saddle Chair Stock CH1100S

A popular saddle chair for fast delivery. Seamless upholstery is of the new stylish and extremely durable Future material, color Carbon. The chair features a seat angle adjustment and a gas spring assisted height adjustment with black cover for the gas spring. Seat width is 50 cm and length 35 cm. Safe Working Load (SWL) 150 kg. Standard configuration: polished aluminum Ø 528 mm base | height adjustment range Medium (54 – 74 cm) | black 65 mm castors | upholstery Future, color Carbon



## Easy Rider FIT CH1200

A new, more narrow saddle chair with seamless upholstery. The chair is upholstered with the new stylish and extremely durable Future material (14 colors), environmentally friendly Nature (5 colors) or optional black leather. The chair features a seat angle adjustment and a gas spring assisted height adjustment with cover for the gas spring according to the base color. Seat width is 45 cm and length 35 cm. Safe Working Load (SWL) 150 kg. Standard configuration: polished aluminum Ø 528 mm base | height adjustment range Medium (54 – 74 cm) | black 65 mm castors | upholstery: Future (14 colors) or Nature (5 colors)



Product featured with Future Pistachio, polished aluminum Ø 528 mm base and options: black 65 mm locking castors and foot height adjustment.



## Easy Rider PRO Saddle Chair CH1300

A saddle chair with 2-part adjustable seat. Width of the seat can be adjusted from 42 cm to 48,5 cm. The seamless upholstery is of the new stylish and extremely durable Future material (14 colors), environmentally friendly Nature (5 colors) or optional black leather. The chair features a seat angle adjustment and a gas spring assisted height adjustment with cover for the gas spring according to the base color. Seat length is 42 cm. Safe Working Load (SWL) 150 kg. Standard configuration: polished aluminum Ø 528 mm base | height adjustment range Medium (54 – 74 cm) | black 65 mm castors | upholstery Future (14 colors) or Nature (5 colors)



Product featured with Future Lagoon, polished aluminum Ø 528 mm base, black 65 mm castors and optional foot support ring



## Step Anatomic Chair CH1400

An anatomically shaped chair with back support. The chair is upholstered with the new stylish and extremely durable Future material (14 colors) or environmentally friendly Nature (5 colors). The chair features a back support angle adjustment and a gas spring assisted height adjustment with cover for the gas spring according to the base color. Seat width and length are 39 cm. Safe Working Load (SWL) 150 kg. Standard configuration: polished aluminum Ø 610 mm base | height adjustment range Medium (50 – 70 cm) | black 65 mm castors | upholstery Future (14 colors) or Nature (5 colors)



Product featured with Future Sunrise, polished aluminum Ø 610 mm base and options: foot support ring and ESD 50 mm castors



## Round Seat CH1500

A round seat that is upholstered with the new stylish and extremely durable Future material (14 colors) or environmentally friendly Nature (5 colors). The chair features a gas spring assisted height adjustment with cover for the gas spring according to the base color. Seat diameter is 37 cm. Safe Working Load (SWL) 150 kg. Standard configuration: polished aluminum Ø 528 mm base | height adjustment range Medium (50 – 70 cm) | black 65 mm castors | upholstery Future (14 colors) or Nature (5 colors)



Product featured with Future Sapphire, polished aluminum Ø 610 mm base and options: back support and brake-loaded 50 mm castors.



ALSO AVAILABLE AS AN  
ANTIMICROBIAL MODEL

**LOJER**® Antimicrobial



## Round Seat CH1500G

A round chair with foot for fast delivery. CH1500G round seat that is upholstered with the new stylish and extremely durable Future material Onyx. The chair features a gas spring assisted height adjustment with black cover for the gas spring. Seat diameter is 37 cm. Safe Working Load (SWL) 150kg. Standard configuration: polished aluminium Ø 610mm base | height adjustment range Medium (50 – 70 cm) | chair glides (no castors) | upholstery Future Onyx | Back support with angle adjustment - requires base Ø 610 mm X (CH1500G2)

### Range:

CH1500G1 Round seat with chair glides  
 CH1500G2 Round seat with chair glides and back support



Model CH1500G2



Technical data and options							
Model	CH1100	CH1100S	CH1200	CH1300	CH1400	CH1500	CH1500G
Base (Polished)	Ø 528 mm	Ø 528 mm	Ø 528 mm	Ø 528 mm	Ø 610 mm	Ø 528 mm	Ø 610 mm
Height adjustment (Medium)	54-74 cm	54-74 cm	54-74 cm	54-74 cm	50-70 cm	50-70 cm	50-70 cm
Castors	65mm, black	65mm, black	65mm, black	65mm, black	65mm, black	65mm, black	Chair glides (no castors)
Upholstery	Future 14 colors	Future Carbon	Future 14 colors	Future 14 colors	Future 14 colors	Future 14 colors	Future Onyx
	Nature 5 colors		Nature 5 colors	Nature 5 colors	Nature 5 colors	Nature 5 colors	
Seat width	50 cm	50 cm	45 cm	42 - 48,5 cm	39 cm	Ø 37 cm	Ø 37 cm
Seat length	35 cm	35 cm	35 cm	42 cm	39 cm	Ø 37 cm	Ø 37 cm
<b>Options</b>							
Height adjustment Low	46 - 60 cm	-	46 - 60 cm	46 - 60 cm	42 - 55 cm	42 - 55 cm	-
Height adjustment High	65 - 91 cm	-	65 - 91 cm	65 - 91 cm	58 - 83 cm	58 - 83 cm	-
Upholstery black leather	o	-	o	o	o	o	-
Base: polished Ø 610 mm   white Ø 528 or 610 mm	o	-	o	o	White Ø 610 mm	o	-
Castors: 65 mm, white   65 mm locking, black or white   50 mm brake loaded, black   50 mm or 65 mm ESD, black. ESD castors only of with black ESD artificial leather upholstery.	o	-	o	o	o	o	-
Back support with angle adjustment - requires base Ø 610 mm	o	-	o	o	X	o	X (CH1500G2)
Foot height adjustment - requires 65 mm castors - not compatible with height adjustment Low	o	-	o	o	o	o	-
Foot support ring - not compatible with foot height adjustment - not compatible with height adjustment Low	o	-	o	o	o	o	-
Swinging saddle - not compatible with back support - adds 2 cm for min and max height	o	-	o	o	-	-	-

X = standard feature, o = optional accessory, - = not available

# CAPRE BC BEAUTY CHAIR

## BEAUTY CHAIRS

The luxurious Lojer Capre treatment chair has been designed together with beauty professionals to fulfil today's treatment requirements. Pleasant and stylish upholstery, individual adjustment possibilities with three motors and luxuries such as a stand for a tablet PC and an LED light combine to make a product that enhances the image of any clinic or treatment centre. The chair is universally suitable for cosmetologists, masseurs, pedicurists and tattoo artists, among others. The Capre BC is manufactured by Lojer in Finland, and spare parts will be available for years to come. For example, the upholstery can be updated to keep with the times if desired.

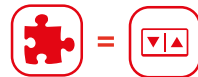
*Turning customer service into a pleasure*



## Main features:

- 1 The luxurious Lojer Capre treatment chair is a real trend setter for cosmetology salons
- 2 Electrical adjustment of the chair height, angle of the back, seat section as well as various of other adjustments make chair extremely comfortable – both for personnel and customers
- 3 Diverse range of accessories allows Beauty Chair to be tailored according to individual needs

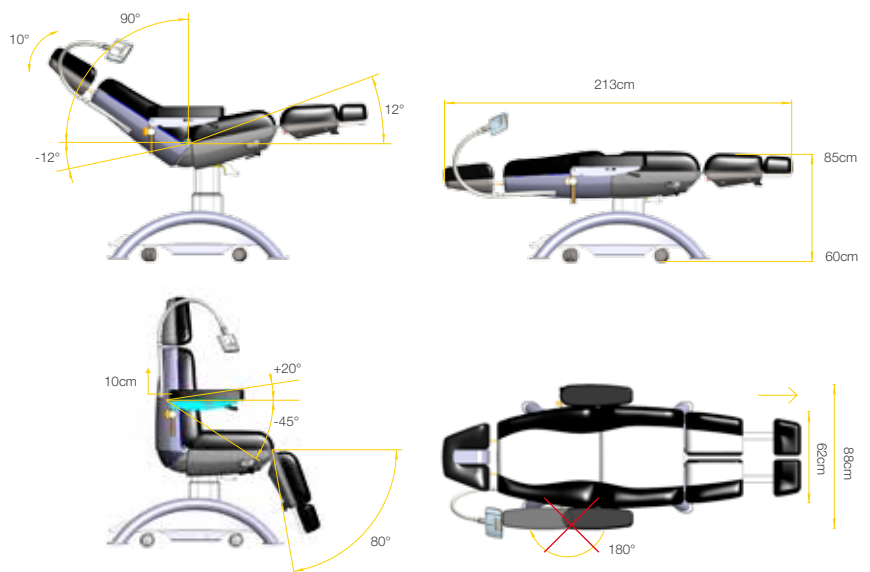
## Technical features



## Accessories:

- Breathing hole
- Versatile arm support; height and angle adjustment, rotation 180°. Length 42 cm
- Foot control for height and back section adjustment
- Black tray, attached to the upper frame of the chair
- Flexible tablet holder
- Led light, attached to the frame of the chair with flexible stand

## Dimensions and adjustments



# PHYSIOTHERAPY AND MASSAGE SUPPLIES



Lojer Group is the largest distributor of physiotherapy equipment and supplies in the Nordic countries, representing a number of top brands in the industry. The Lojer range includes a comprehensive set of top products ranging from different paper products to oils and creams that are carefully chosen to satisfy different user needs.

During the past years and decades, we have developed in-house top-quality products such as the Balance Tape kinesiotape range and HEGU acupuncture needles, which are both top-leading Nordic brands in their sectors.

High quality massage oils and creams for professional use. All Lojer consumables are developed and manufactured in Finland. All oils can be heated up to 200C (except INERT). Cushions are available in stylish Future colours that matches with Lojer treatment tables perfectly.

# HEGU

Nordic  
Acupuncture



## Classic

The HEGU Classic acupuncture needles are made of high quality Japanese surgical stainless steel, produced in the traditional Chinese way with the wire handle ending in a loop.



## Xeno

The HEGU Xeno acupuncture needle is manufactured in Korean style with a spring handle, therefore without the loop at the top. The wrapped handle on the HEGU Xeno is made of stainless-steel wire, making this a harder and sturdier needle appreciated by western acupuncturists.



## Onex

The spring type handle was invented by Korean producers of acupuncture needles. The Onex needle is therefore classified as a Korean type of acupuncture needle, ideal for heat and electrical conductivity.



## Pura

HEGU Pura acupuncture needles belongs to the more exclusive Japanese needle types that are renowned for their good treatment results. Pura needles feature plastic handles in different colours corresponding to different needle diameters.



## Dry Needle

With unique design and carefully selected materials, the HEGU Dry Needle is optimised for Dry Needling. All HEGU Dry Needles are produced in high tensile strength Japanese surgical stainless steel and feature a uniquely sharp, diamond-cut tip that provides extremely high precision.



## Press Needle

HEGU Press Needles are made of the same surgical steel as our other needles and can be used for both ear and body acupuncture. These very small needles, 0.22 in diameter and 1.3 mm long, are 'pressed' onto the point and held in place with a small, surgical adhesive patch.

With over 25 years of experience, HEGU offers high quality, safe and reliable acupuncture needles. All HEGU needles are manufactured according to strict specifications and in compliance with EU medical device directives, in facilities certified according to ISO13485. HEGU is the leading acupuncture brand in the Nordics and has a well-established distributor network with customers all over Europe. If you wish more information about needles, product specifications and guides, visit [www.hegu.com](http://www.hegu.com).

# LOJER CUSHIONS

## PHYSIOTHERAPY AND MASSAGE SUPPLIES

The Lojer Cushions provide a variety of uses in rehabilitation and massage treatments. Different sizes, shapes and hardness of cushions make them multipurpose and functional tools. Ankle Cushion that provides support and comfort for manipulative and massage therapy, taping and many other treatments. The Round Cushions are suitable under the ankles or knees to support patient's laying posture. Special cushions, such as Wedge and Psoas cushions, are ideal for positioning patient in relaxing position. For example, the Psoas position relaxes the back and relieves swelling in the lower limbs. Lojer Psoas cushion has convenient handle.



### Ankle Cushions

- 67528 Ankle cushion, Future/ Nature colour options (50\*21\*11 cm)
- 67528B Ankle cushion, Carbon (50\*21\*11 cm)



### Psoas Cushions

- 67525 Psoas cushion, Future/ Nature colour options (30\*40\*50 cm)
- 67525B Psoas cushion, Future Carbon (30\*40\*50 cm)



Main features:

- 1 Cushions are ideal for supporting and relaxing positioning
- 2 Multipurpose tools for rehabilitation and massage
- 3 Extremely durable, premium Finnish quality

Wedge Cushions

67540B Wedge cushion, Future Carbon (90\*60\*32 cm)

67540ST Wedge cushion, Nature Stone (90\*60\*32 cm)

67541B Wedge cushion, Future Carbon (65\*35\*35 cm)

67541ST Wedge cushion, Nature Stone (65\*35\*35 cm)

67539B Wedge cushion, Future Carbon (28\*20\*10 cm)

67539ST Wedge cushion, Nature Stone (28\*20\*10 cm)



Round Cushions

67531B Round cushion, Future Carbon (10\*50 cm hard)

67532B Round cushion, Future Carbon (15\*50 cm hard)

67533B Round cushion, Future Carbon (20\*50 cm hard)

67534B Round cushion, Future Carbon (10\*50 cm soft)

67535B Round cushion, Future Carbon (15\*50 cm soft)

67536B Round cushion, Future Carbon (20\*50 cm soft)

6376B Round cushion Bobath, Future Carbon (20\*100 cm hard)

6376ST Round cushion Bobath, Nature Stone (20\*100 cm hard)

6375B Round cushion Bobath, Future Carbon (30\*100 cm hard)

6375ST Round cushion Bobath, Nature Stone (30\*100 cm hard)

6374B Round cushion Bobath, Future Carbon (40\*100 cm hard)

6374ST Round cushion Bobath, Nature Stone (40\*100 cm hard)

6373B Round cushion Bobath, Future Carbon (50\*100 cm hard)

6373ST Round cushion Bobath, Nature Stone (50\*100 cm hard)

# LOJER SYMBOLS



**Surface width**  
Width of the product's patient surface



**Patient surface length**  
Length of the product's patient surface



**Safe working load**  
Maximum load capacity, including the weight of the patient, mattresses and accessories



**Patient weight**  
Highest allowed patient weight



**Height adjustment range**  
Max. and min. height of the lying surface



**Castor diameter**  
Diameter of the individually locking or central locking castor/wheel (mm)



**Twin castor diameter**  
Diameter of the individually locking or central locking twin castor/wheel (mm). The mobility and solidity of the twin castor is significantly better than the standard castor.



**5. Castor**  
Fifth castor in the middle of the bed significantly improves mobility.



**Central locking**  
Product has mechanical or electric central locking of the castors. Locking is executed by locking each castor simultaneously or with a retractable lifting system.



**Number of functions**  
Number of functions the product features. For instance, hi-low function and adjustable back section function (=2x)



**Battery driven**  
Product can be equipped with a battery (typically optional)



**Hand controller**  
Product can be adjusted using a hand controller



**Hands free – height adjustment bar**  
The height of the product can be adjusted by foot from all sides of the product



**Electric foot control**  
The product can be adjusted using a foot control



**Hydraulic height adjustment**  
The height of the product can be adjusted by pedalling the hydraulic cylinder



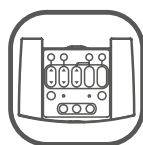
**Trendelenburg adjustment**  
The product features Trendelenburg adjustment



**Anti-trendelenburg adjustment**  
The product features anti-Trendelenburg adjustment



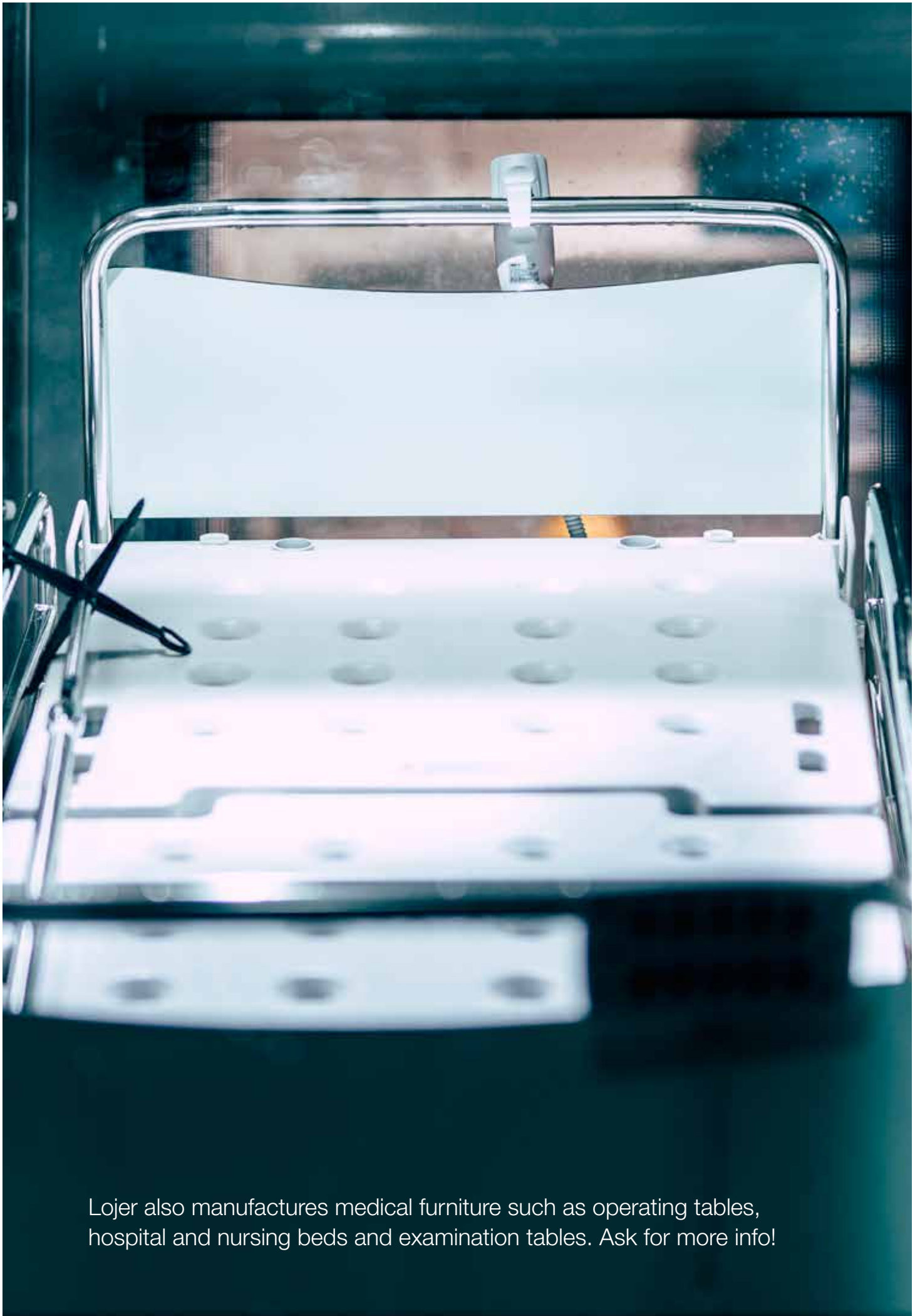
**CPR function**  
The back section can be quickly lowered to horizontal position



**Nurse control panel**  
Optional control panel allows use of pre-programmed functions or preventing the patient from using certain functions



**Accessories**  
Product can be equipped with factory installed accessories or retrofitted accessories



Lojer also manufactures medical furniture such as operating tables, hospital and nursing beds and examination tables. Ask for more info!



PHYSIOTHERAPY AND MEDICAL WELLNESS  
Lojer Oy, PL 54, 38201 Sastamala, Finland  
Tel +358 (0)10 830 6700 | [info@lojer.com](mailto:info@lojer.com)  
[www.lojer.com](http://www.lojer.com)

LOJER MEDICAL SERVICE  
Fill the form at [lojer.com](http://lojer.com) » service request or send us email [service@lojer.com](mailto:service@lojer.com)

You can also call us + 358 10 830 6750 (from 8:00 AM to 16:00 PM Finnish time UTC+2:00).